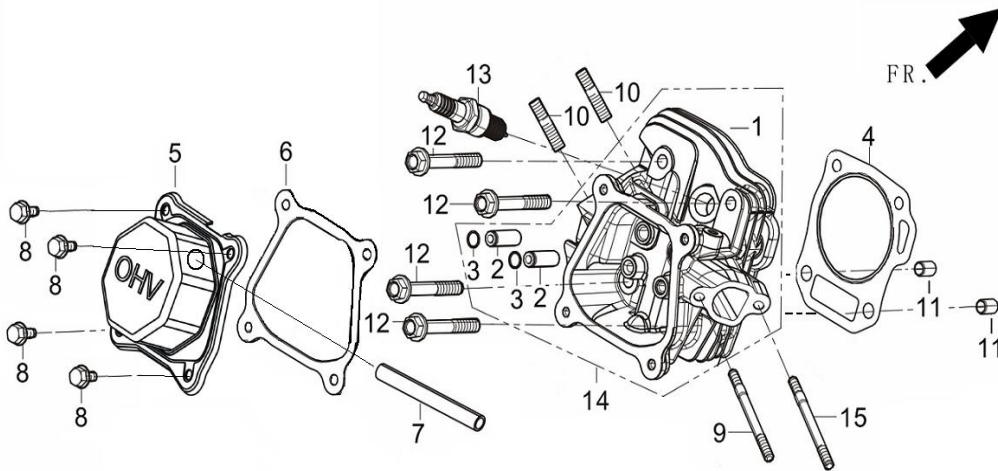


Pubert engine R180-3 Part list

Moteur Pubert R180-3 Pièces détachées

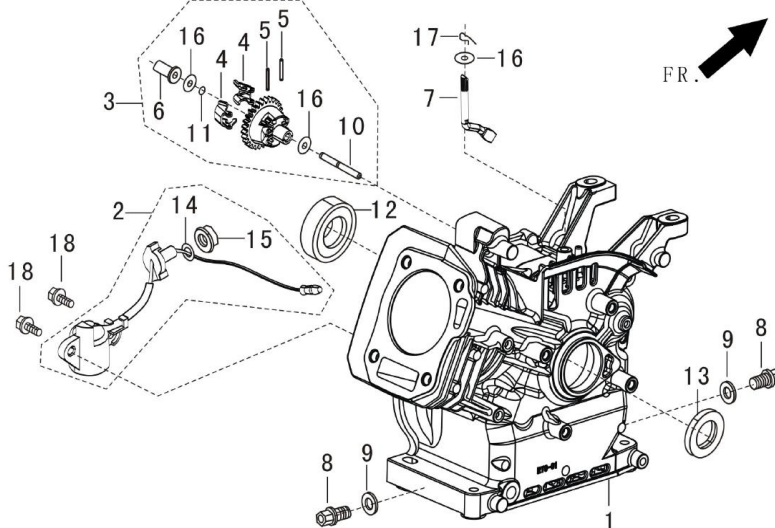
Z44-006-011

FIG.1 HEAD SUBASSEMBLY, CYLINDER / PLUG,SPARK (E04)



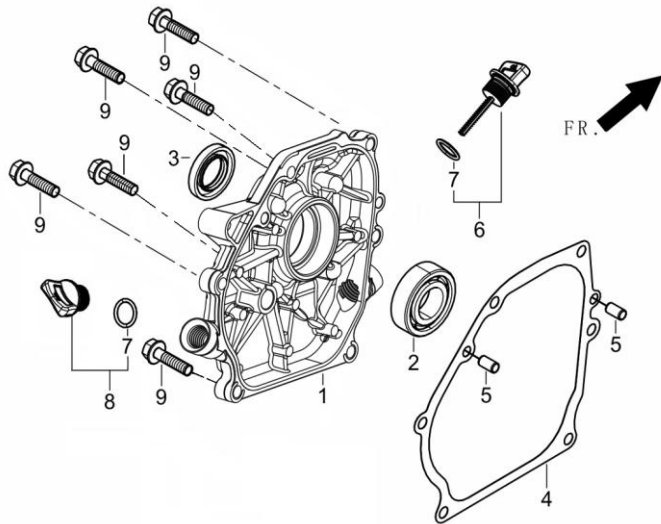
N°	Ref externe-External ref	PUBERT Reference	DESIGNATION - DESCRIPTION	Qt
E04-4	12131-Z440110-0000	0001180003	GASKET, CYLINDER HEAD	1
E04-5	12410-Z440110-0000	0001210001	COVER SUBASSEMBLY, CYLINDER HEAD	1
E04-6	12004-Z440110-0000	0001180002	GASKET, CYLINDER HEAD COVER	1
E04-7	17004-Z440110-0000		TUBE, BREATHER	1
E04-8	90001-0612-01		BOLT	4
E04-9	90204-Z010310-0000		STUD	1
E04-10	90203-Z010110-0000		STUD	2
E04-11	90502-1114-00		PIN	2
E04-12	12003-Z010110-0000		BOLT, CYLINDER HEAD	4
E04-13	30010-Z010110-0000	9501000304	PLUG, SPARK	1
E04-14	12140-Z440110-0000	0001210002	HEAD SUBASSEMBLY, CYLINDER	1
E04-15	90207-Z330210-0000		STUD	1

FIG.2 CRANKCASE. / GEAR ASSY, GOVERNOR (E17)



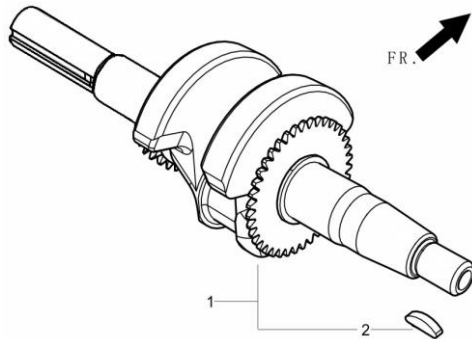
N°	Ref externe-External ref	PUBERT Reference	DESIGNATION - DESCRIPTION	Qt
E17-1	11310-Z440310-0000	0001210003	CRANKCASE SUBASSEMBLY.	1
E17-2	37060-Z010110-0000		SENSOR, ENGINE OIL	1
E17-3	16400-Z010110-0000	0001180050	GEAR ASSY, GOVERNOR	1
E17-7	16061-Z010110-0000		ARM, GOVERNOR	1
E17-8	11007-Z010110-0000	9501004145	BOLT, DRAIN PLUG	2
E17-9	90408-Z010110-0000	0001200006	WASHER	2
E17-12	90548-0205-00	0001100124	BEARING	1
E17-13	90682-Z300110-0000	0001180005	SEAL, OIL	1
E17-16	90408-Z010210-0000		WASHER, GOVERNOR GEAR	3
E17-17	90501-Z010110-0000		PIN	1
E17-18	90001-0614-01		BOLT	2

FIG.3 COVER SUBASSEMBLY, CRANKCASE (E01)



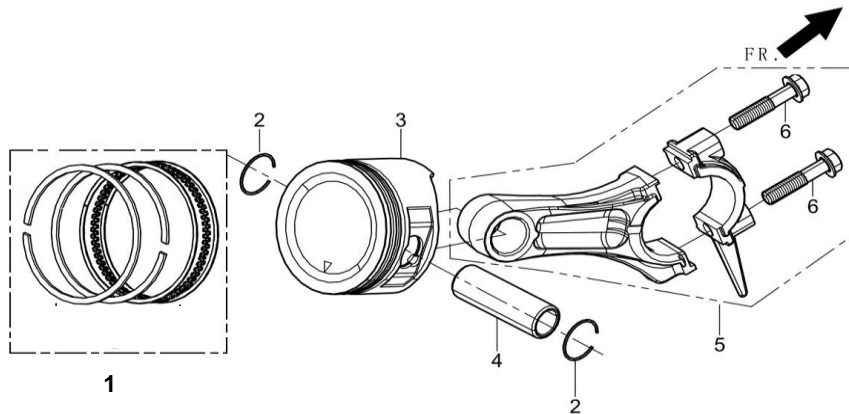
N°	Ref externe-External ref	PUBERT Reference	DESIGNATION - DESCRIPTION	Qt
E01-1	11411-Z440210-0000	0001210004	COVER ASSY, CRANKCASE	1
E01-2	90548-0205-00	0001100124	BEARING	1
E01-3	90682-Z300110-0000	0001180005	SEAL, OIL	1
E01-4	11001-Z440110-0000	0001060053	GASKET, CRANKCASE	1
E01-5	90502-0912-00		PIN	2
E01-6	15010-Z010110-QG00	0001180008	DIPSTICK SUBASSEMBLY, OIL	1
E01-8	15030-Z010110-QG00		PLUG SUBASSEMBLY, ENGINE OIL	1
E01-9	90001-0832-01		BOLT	6

FIG.4 ROD,CRANKSHAFT CONNETING (E03)



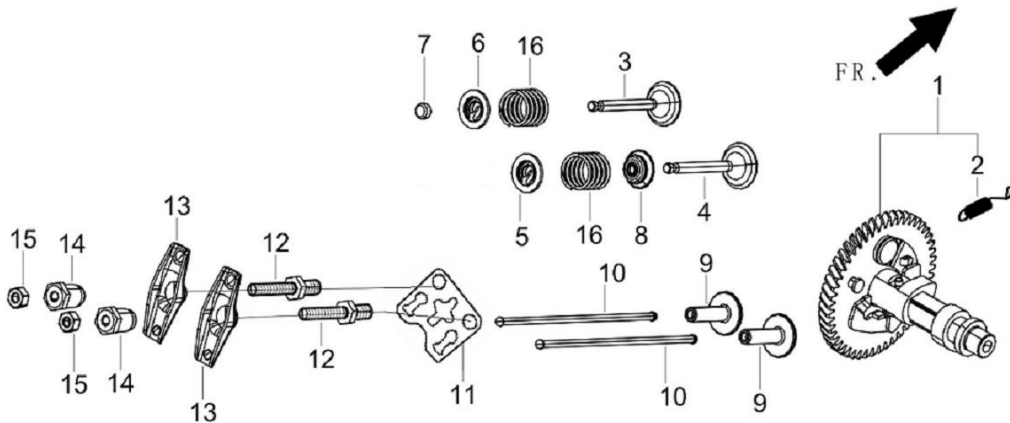
N°	Ref externe-External ref	PUBERT Reference	DESIGNATION - DESCRIPTION	QTY
E03-1	13300-Z440220-0000	0001210005	CRANKSHAFT ASSY.	1

FIG.5 RING SET,OIL / ROD,CRANKSHAFT CONNETING (E03)



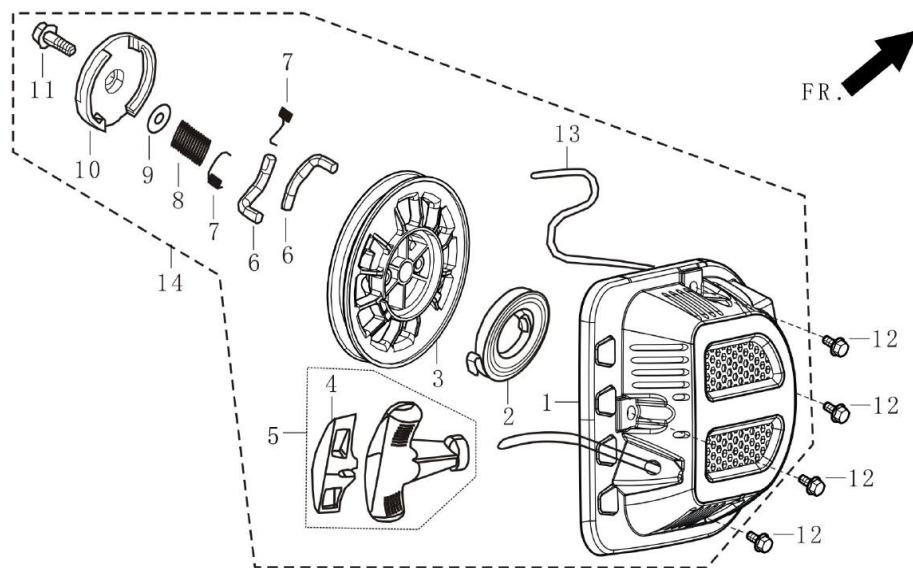
N°	Ref externe-External ref	PUBERT Reference	DESIGNATION - DESCRIPTION	Qt
E04-1	13210-Z360110-0000	0001210007	RING SET, OIL	1
E04-2	13122-Z010110-0000	0001180014	CLIP, PISTON PIN	2
E04-3	13111-Z360120-0000	0001210006	PISTON ASSY.	1
E04-4	13121-Z360110-0000	0001180011	PIN, PISTON	1
E04-5	13010-Z440110-0000	0001180012	ROD, CONNECTING	1

FIG.6 TRAIN,VALVE / CAMSHAFT SUBASSEMBLY (E05)



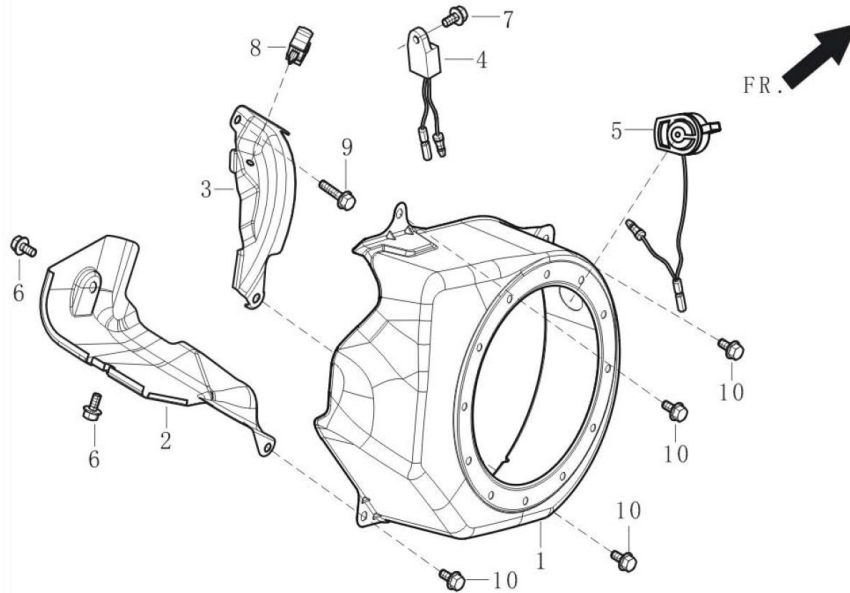
N°	Ref externe-External ref	PUBERT Reference	DESIGNATION - DESCRIPTION	Qt
E04-1	14200-Z440110-0000	0001180040	CAMSHAFT ASSY.	1
E04-3	12121-Z010110-0000	0001060065	VALVE, EXHAUST	1
E04-4	12111-Z010110-0000	0001060077	VALVE, INTAKE	1
E04-5	12112-Z010110-0000	0001090011	SEAT, VALVE SPRING	1
E04-6	12107-Z010110-0000	0001060078	RETAINER, EXHAUST VALVE	1
E04-7	12104-Z010110-0000	9501000562	R0TATOR, VALVE	1
E04-8	12101-Z010110-0000	0001180048	GUIDE, SEAL	1
E04-9	14081-Z440110-0000		TAPPET, VALVE	2
E04-10	14071-Z440110-0000		LIFTER, VALVE	2
E04-11	14090-Z440110-0000		PLATE SUBASSEMBLY, LIFTER STOPPER	1
E04-12	14313-Z010110-0000		BOLT, VALVE ADJUSTING	2
E04-13	14311-Z010110-0000		ROCKER, VALVE	2
E04-14	14314-Z010110-0000		NUT, VALVE ADJUSTING	2
E04-15	14312-Z010110-0000		NUT, VALVE LOCK	2
E04-16	12103-Z010110-0000	0001090010	SPRING, VALVE	2

FIG.7 STARTER,RECOIL (E08)



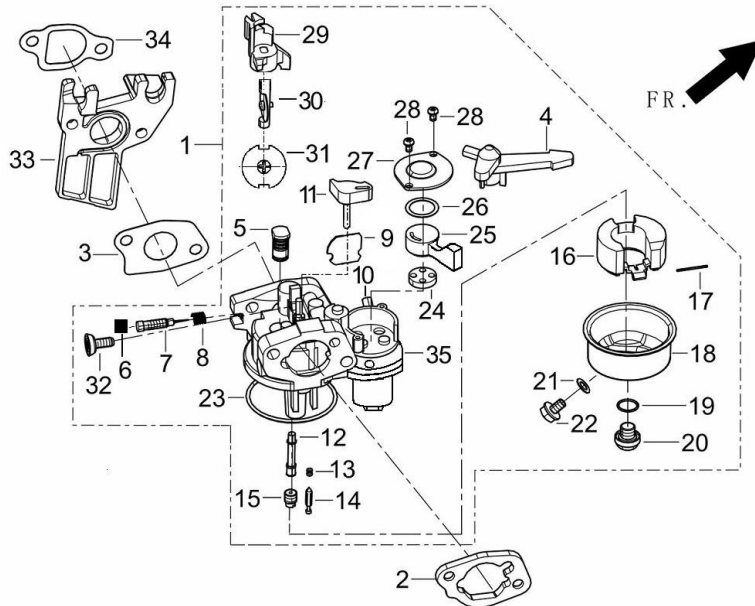
N°	Ref externe-External ref	PUBERT Reference	DESIGNATION - DESCRIPTION	Qt
E08-12	90001-0612-01		BOLT	4
E08-14	28200-Z010310-Q200	0001210010	STARTER ASSY, RECOIL	1

FIG.8 SHROUD / SHIELD,LOWER (E14)



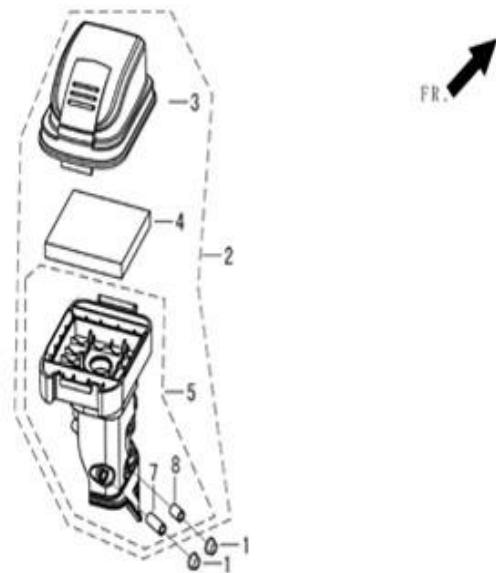
N°	Ref externe-External ref	PUBERT Reference	DESIGNATION - DESCRIPTION	Qt
E14-1	28110-Z010410-H700	0001210011	SHROUD	1
E14-2	19304-Z010110-0000	0001180019	SHROUD, CYLINDER BODY	1
E14-3	19340-Z010120-0000		SHIELD,LOWER	1
E14-4	37050-Z010210-0000		PROTECTOR, OIL	1
E14-5	35540-Z060120-QG00		SWITCH SUBASSEMBLY, STOP ENGINE	1
E14-6	90001-0610-01		BOLT	2
E14-7	90001-0610-01		BOLT	1
E14-8	90740-Z010110-0000		COLLAR	1
E14-9	90001-0616-01		BOLT	1
E14-10	90001-0612-01		BOLT	4

FIG.9 CARBURETOR ASSY. (E11)



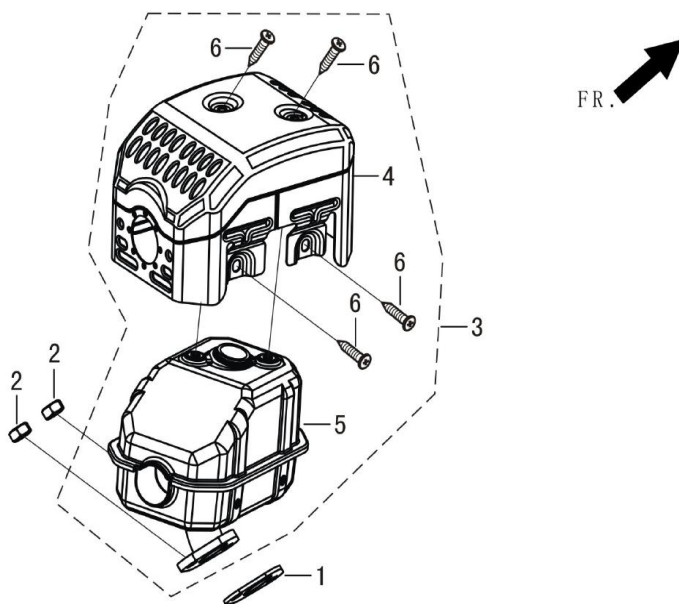
N°	Ref externe-External ref	PUBERT Reference	DESIGNATION - DESCRIPTION	Qt
E11-1	16100-Z440210-0000	0001180020	CARBURETOR ASSY.	1
E11-2	17001-Z010210-0000	0001180021	GASKET, AIR CLEANER	1
E11-3	16001-Z050110-0000	0001180022	GASKET, CARBURETOR	1
E11-4		0001180047	LEVER	1
E11-33	16003-Z010110-0000	0001180023	PLATE, CARBURETOR INSULATOR	1
E11-34	16002-Z050110-0000	0001180024	GASKET, CARBURETOR INSULATOR	1

FIG.10 CLEANER, AIR (F02)



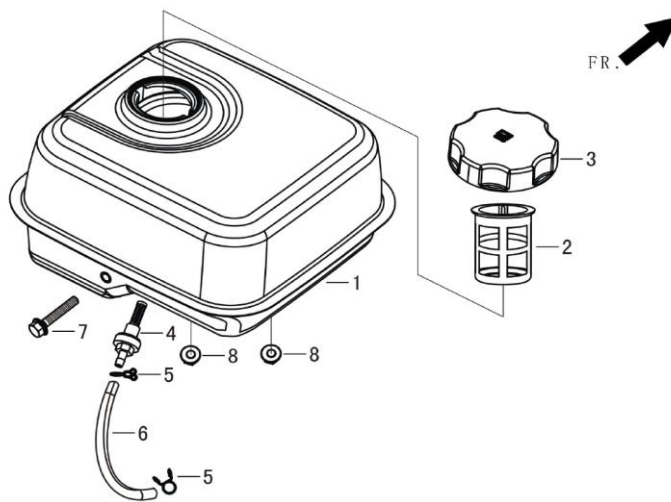
N°	Ref externe-External ref	PUBERT Reference	DESIGNATION - DESCRIPTION	Qt
E04-1	90305-0600-31		NUT	2
E04-2	17100-Z440110-0000	0001210017	CLEANER, AIR	1
E04-3	17104-Z440110-0000	0001210018	COVER, AIR CLEANER CASE	1
E04-4	17151-Z440110-0000	0001210019	ELEMENT, AIR CLEANER	1

FIG.11 MUFFLER ASSY. (F04)



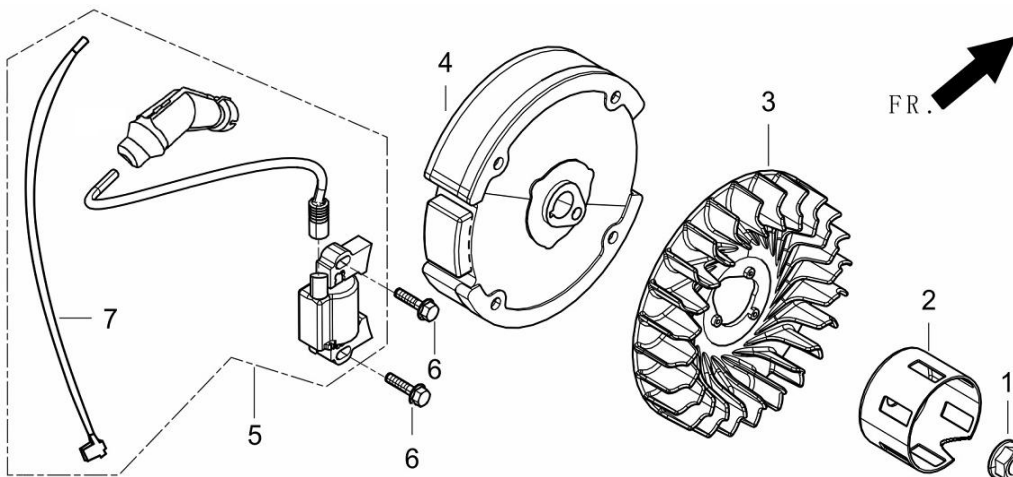
N°	Ref externe-External ref	PUBERT Reference	DESIGNATION - DESCRIPTION	Qt
F04-1	18001-Z440110-0000	0001180004	GASKET, EXHAUST OUTLET	1
F04-2	90303-0800-31		NUT	2
F04-3	18100-Z440420-0000	0001210020	MUFFLER ASSY.	1
F04-4	18130-Z440210-0000		COVER, MUFFLER OUTER	1

FIG.12 TANK ASSY, FUEL (F01)



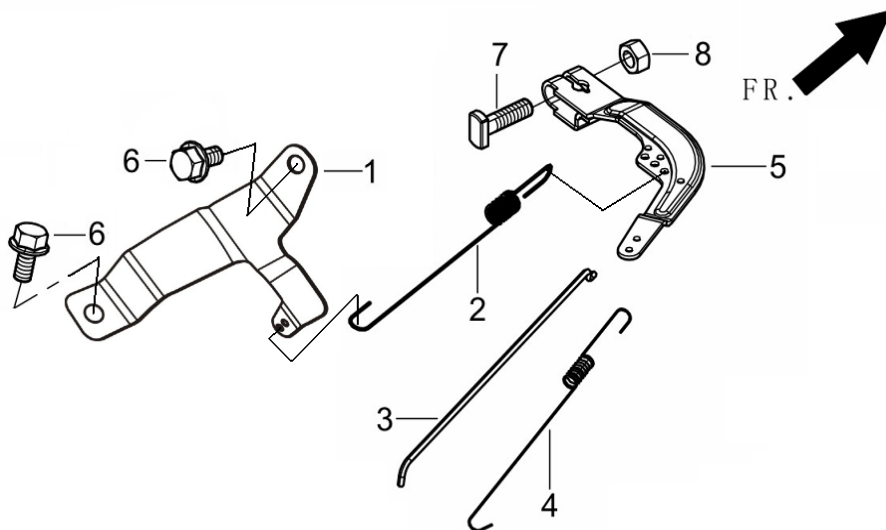
N°	Ref externe-External ref	PUBERT Reference	DESIGNATION - DESCRIPTION	Qt
F01-1	16620-Z440210-H700	0001210009	TANK, FUEL	1
F01-2	16652-Z010110-0000	0001180039	STRAINER, FUEL	1
F01-3	16730-Z440110-0000	0001180037	COVER, FUEL TANK	1
F01-4	16680-Z010110-0000	0001180036	OUTLET SUBASSEMBLY, FUEL TANK OIL	1
F01-5	90740-Z010210-0000		COLLAR	2
F01-6	90686-Z010710-0000		TUBE, FUEL	1
F01-7	90001-0630-01		BOLT	1
F01-8	90305-0600-31		NUT	2

FIG.13 FLYWHEEL / IMPELLER / STARTER PULLEY / IGNITION COIL (E15)



N°	Ref externe-External ref	PUBERT Reference	DESIGNATION - DESCRIPTION	Qt
E15-1	13501-Z010110-0000	0001180029	NUT	1
E15-2	28002-Z010210-0000		PULLEY, STARTER	1
E15-3	19352-Z440110-0000		IMPELLER	1
E15-4	13510-Z440110-0000		FLYWHEEL SUBASSEMBLY	1
E15-5	30400-Z440110-0000	0001180025	COIL, IGNITION	1
E15-6	90001-0625-01		BOLT	2

FIG.14 CONTROL ASSY, THROTTLE (E13)



N°	Ref externe-External ref	PUBERT Reference	DESIGNATION - DESCRIPTION	Qt
E13-1	16520-Z010610-0000	0001180045	CONTROL ASSY, THROTTLE	1
E13-2	16063-Z440110-0000	0001060023	SPRING, GOVERNOR	1
E13-3	16062-Z010110-0000	0001180032	ROD, GOVERNEOR	1
E13-4	16012-Z010110-0000	0001000222	SPRING, THROTTLE VALVE RETURNING	1
E13-5	16070-Z010110-0000	0001180046	SUPPORT SUBASSEMBLY, GOVERNOR	1
E13-6	90001-0610-01		BOLT	2
E13-7	16072-Z010110-0000		BOLT, GOVERNOR SUPPORT	1
E13-8	90305-0600-31		NUT	1